



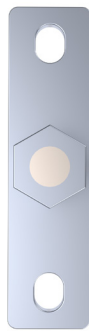
Low Level IPS
Installation Instructions



Fittings



Aluminium Channel



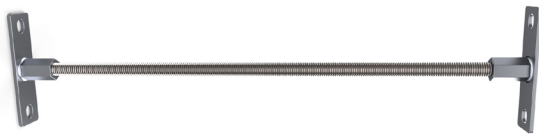
Anchor Plates



Lip Clip



Flash Frame Clip



8mm Support Rods



Keku Frame Clip

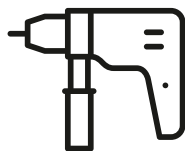


Excess Panel Clip

Tools Required



Cordless Drill



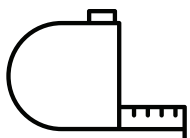
Hammer Drill



Circular Saw



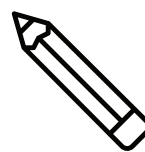
Spirit Level



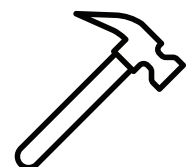
Tape Measure



Screwdriver



Pencil



Hammer

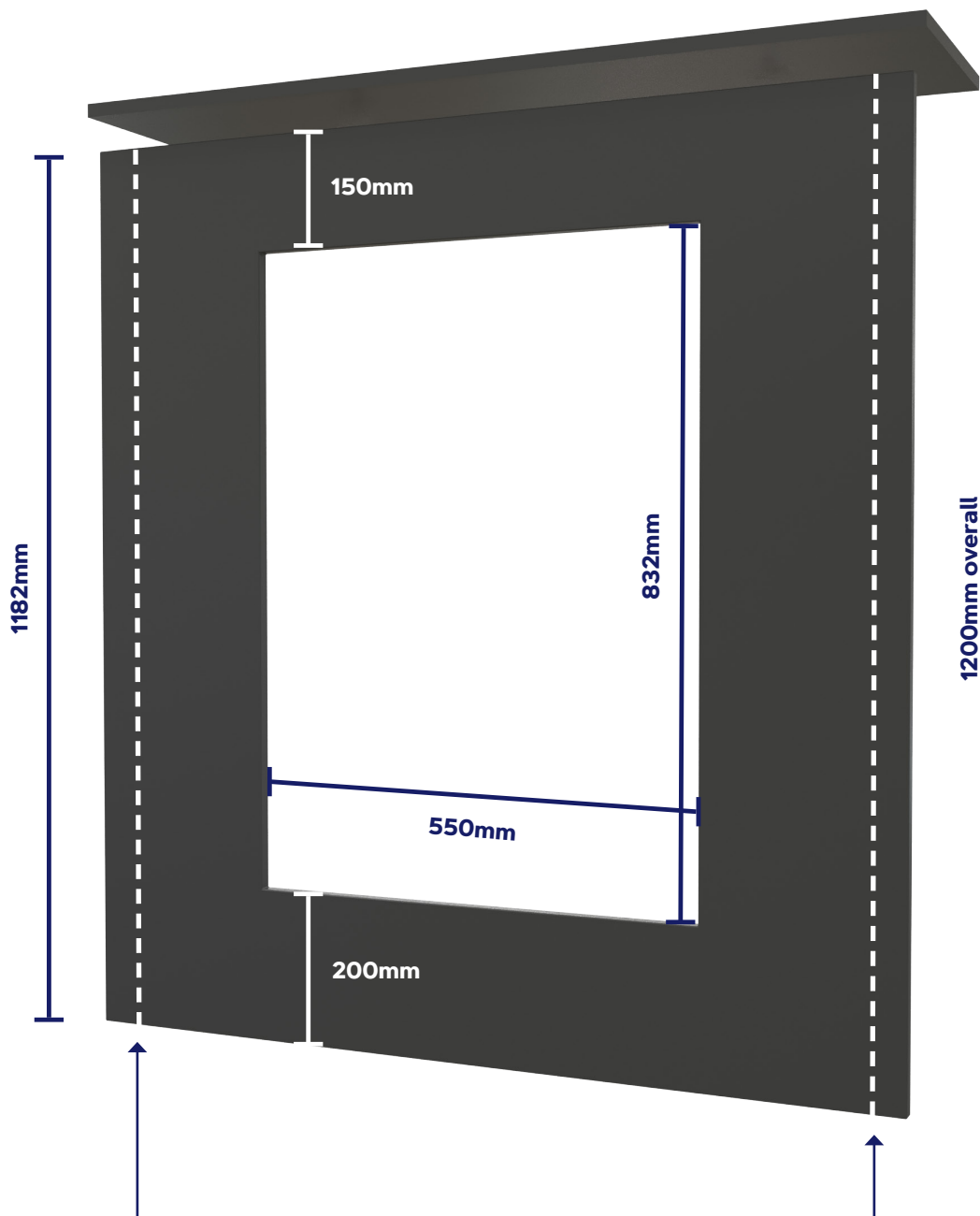
Flash frame surround

1. Cut the overall width of the flash frame to the internal size of the cubicle inbetween partitions or walls.
2. When cutting flash frame surround, cut equal measurement off each side.

Dimensions

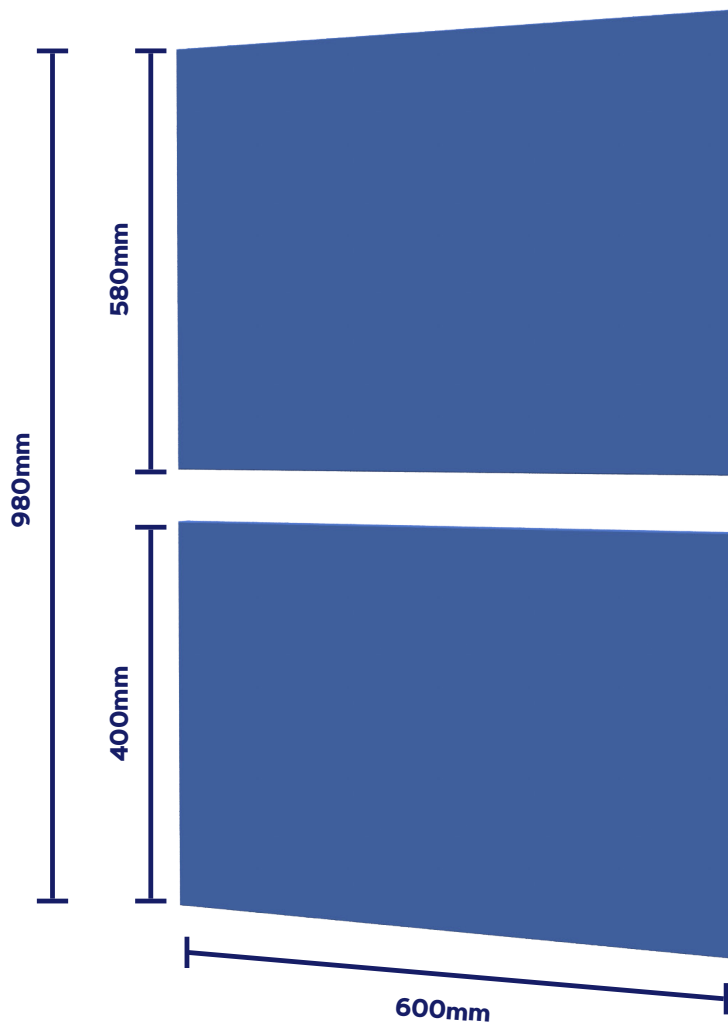
Width Adjustable - Min 700mm Wide - 1000mm Max

Height 1200mm overall



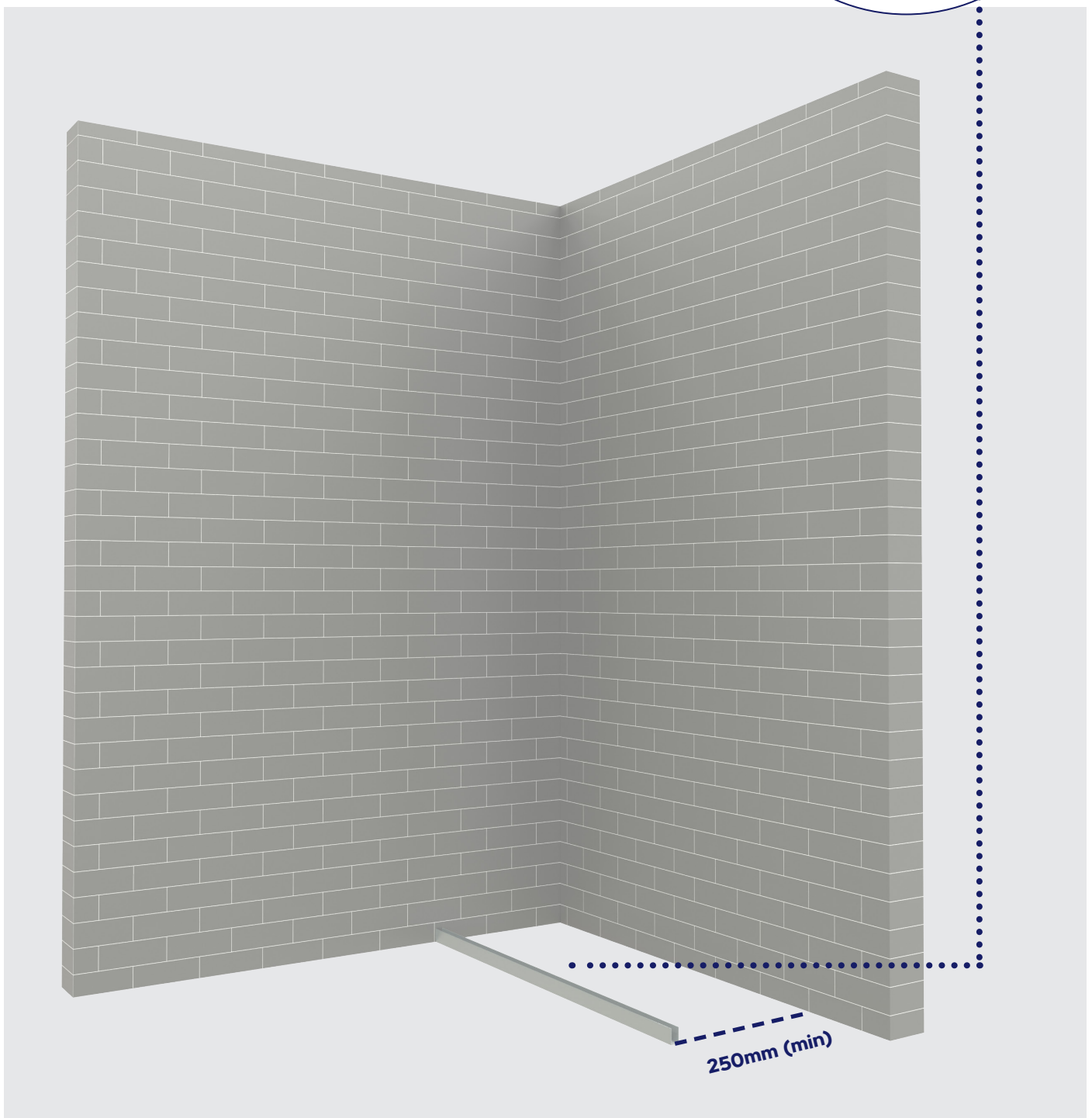
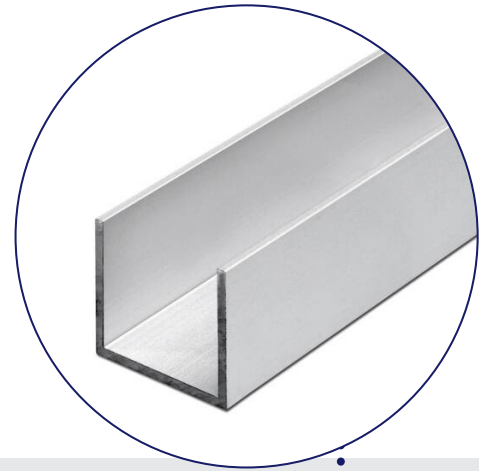
To adjust frame size, cut either equal measurement off each side

Excess Panels 18mm MFC



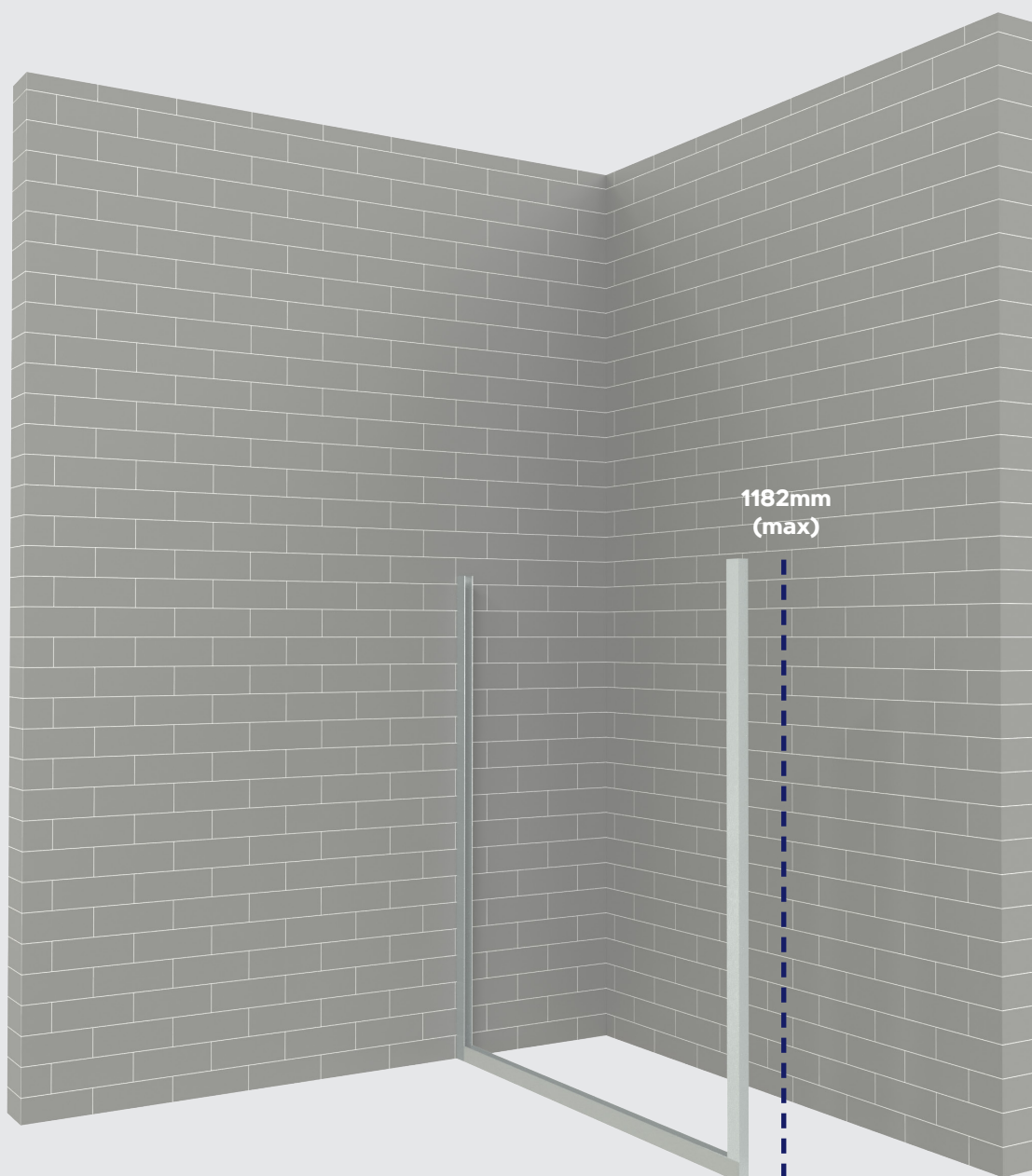
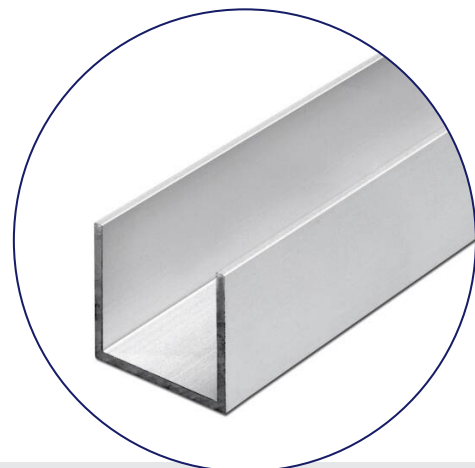
Step 1

1. Fix and secure Aluminium channel to the floor to allow for the bottom plinth to be fixed into. The channel track should be 250mm min off the back structural wall.



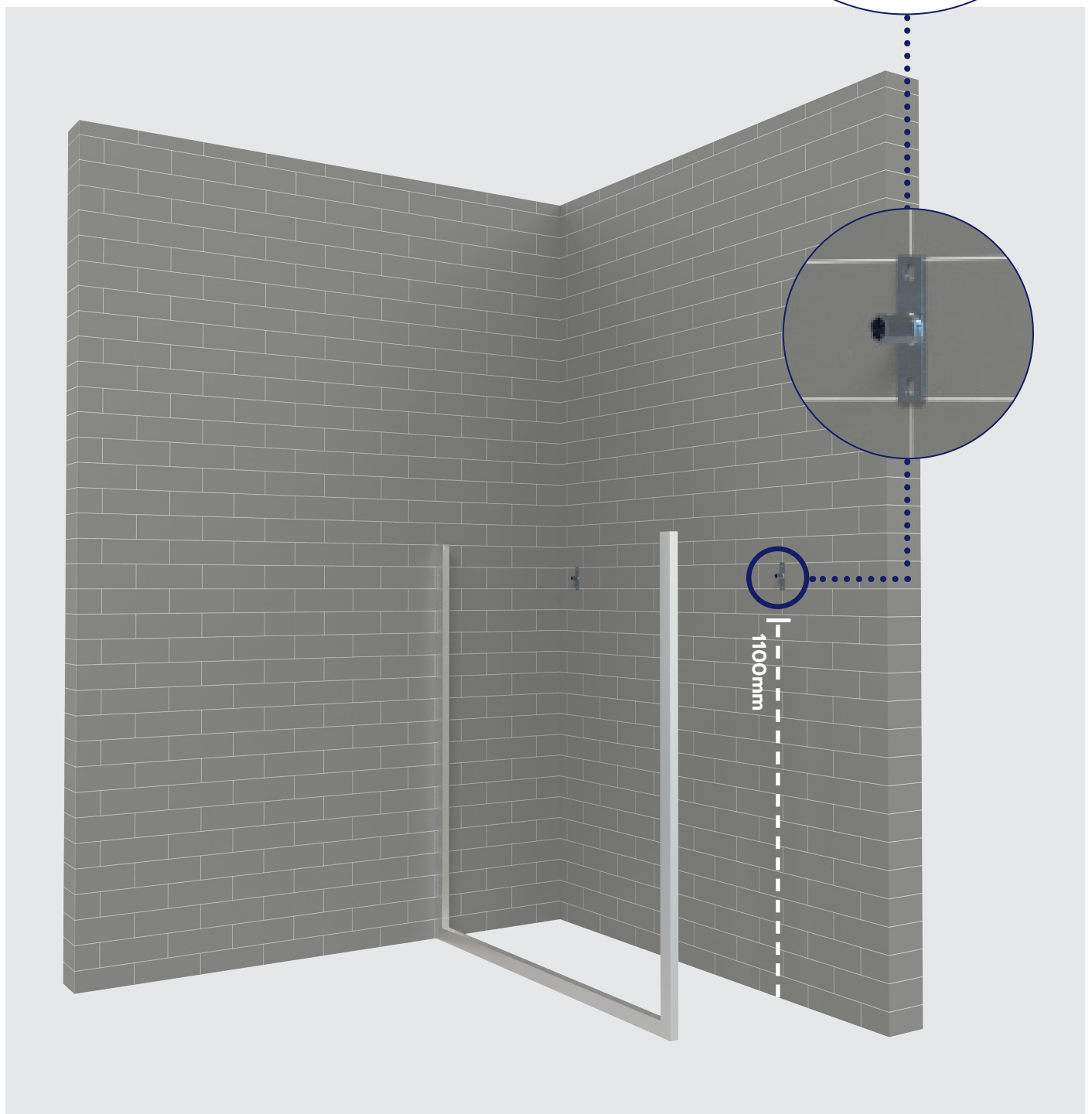
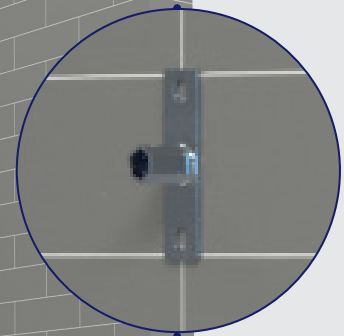
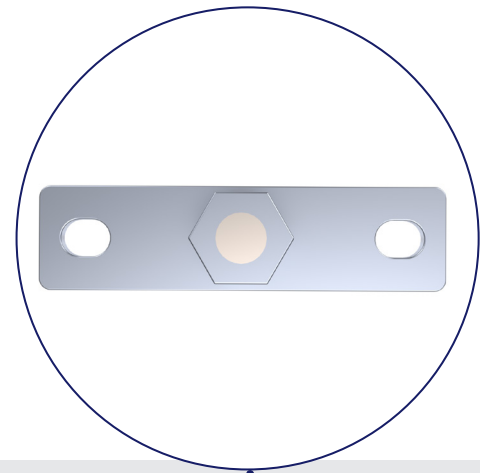
Step 2

1. Cut 2 x side aluminium channels to size - (make sure you cut the aluminium channels 18mm short of the cubicle height to allow for the IPS lid to fly over)
2. The aluminium channels should not exceed the height of 1182mm
3. Fix the aluminium channels to the inside of the partition panel either side.



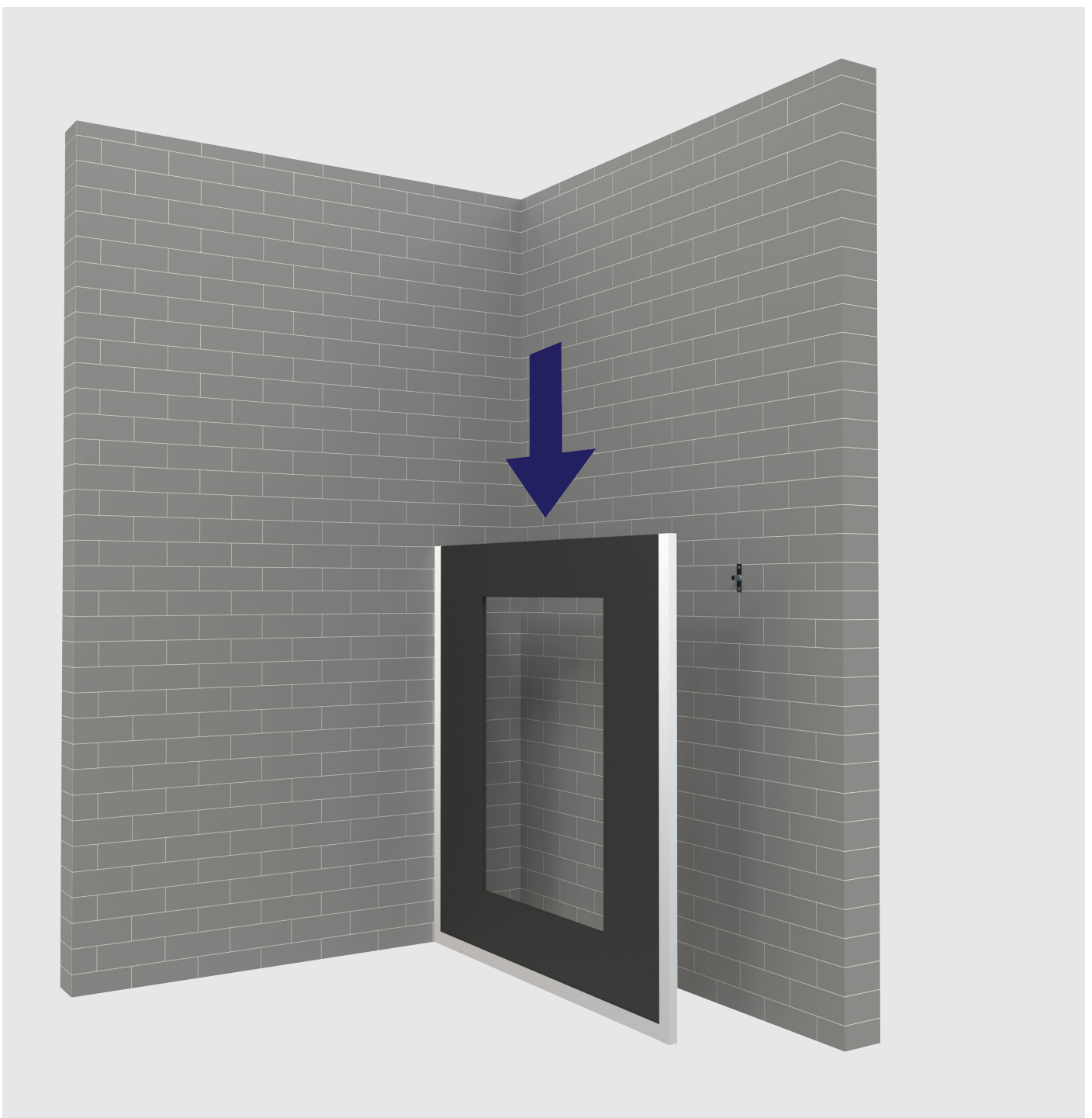
Step 3

1. Mark positions for 2 x anchor wall plates each side making sure they are equally distanced apart.
2. Fix and secure 2 x wall plates to the back structural wall.



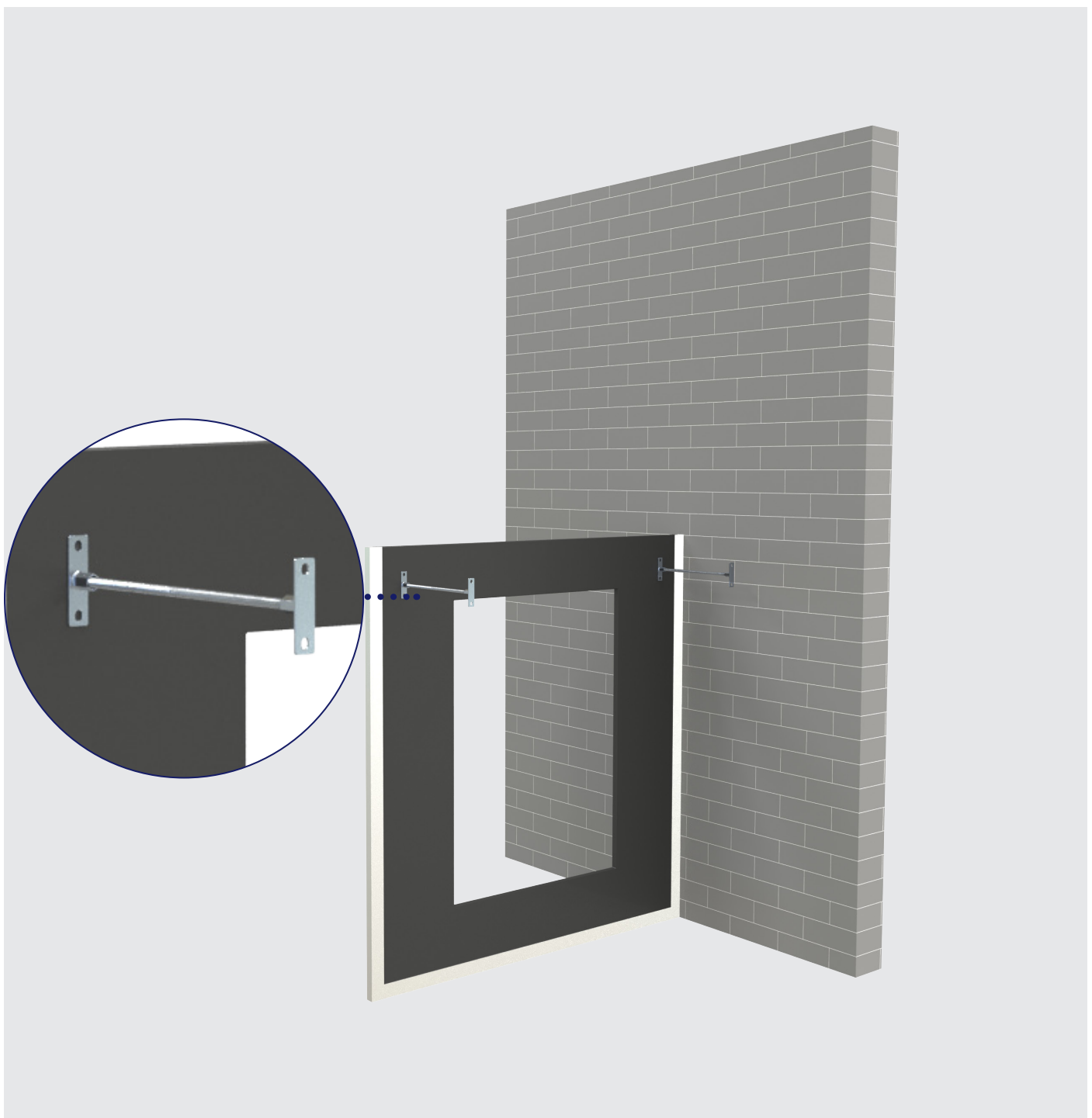
Step 4

1. Place the side flash panel into the aluminium surround side channels.
2. Fix and secure into position using 20mm screws provided.
3. Secure the frame into the channel from the back.



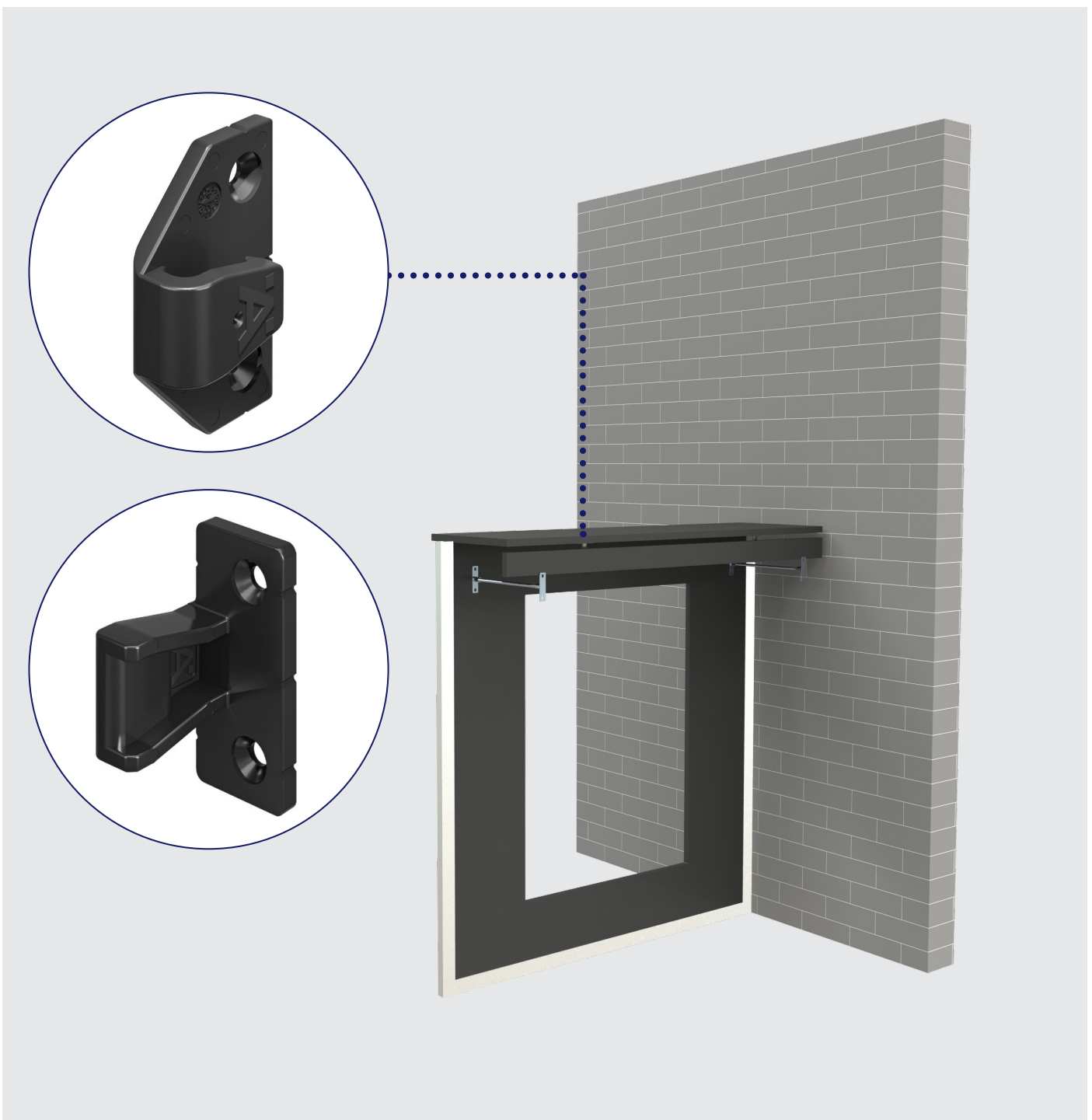
Step 5

1. Cut 8mm support rods to length required (allow 6mm for the thickness of wall plates) - the rod length is the internal depth size. This size is from the back structural wall to the backside of the frame.
2. Wind wall plate onto one end of the rod.
3. Wind the opposite end of the rod into the wall plate which is secured onto the structural wall
4. Once you have wound the rod into position (making sure the rod is tight up against the back of the frame) fix and secure the tie rod to the back of the frame from the inside, making sure the rod is level.



Step 6

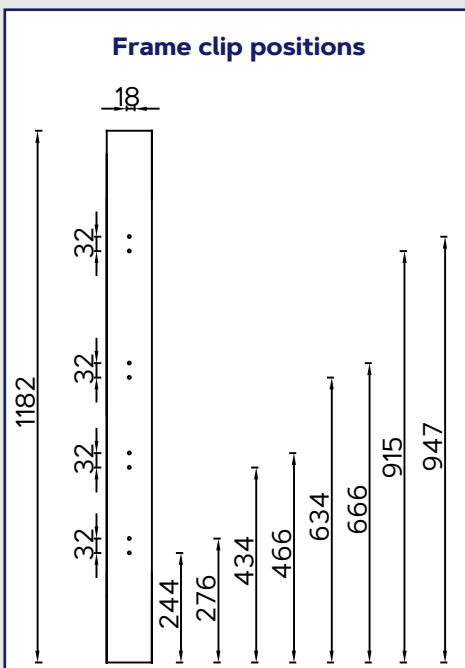
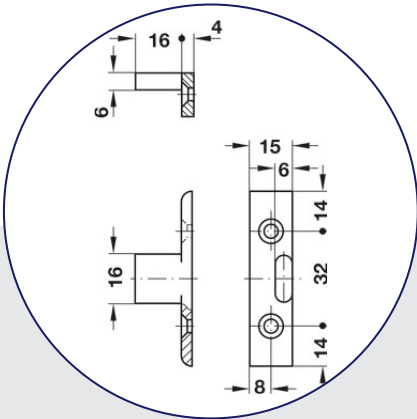
1. Fix and secure batten to the back structural wall to support the lid. The top of the batten height 1182mm.
2. Cut lid to length required.
3. Fix lid down from inside using push fit clips.



Step 7

1. Fix Keku frame clips to the inside edge of the flash frame cut out surround. (4 x frame brackets per panel)

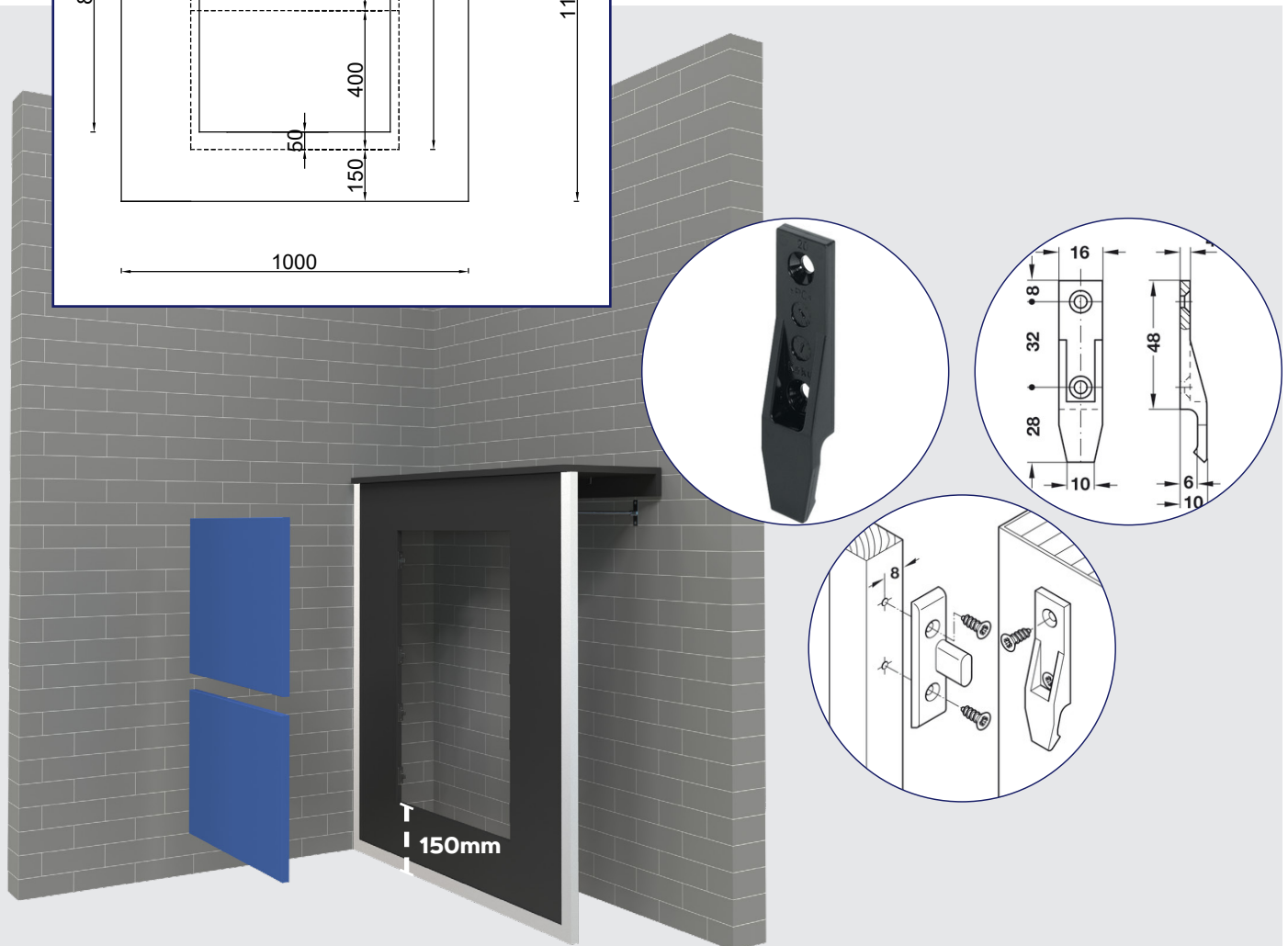
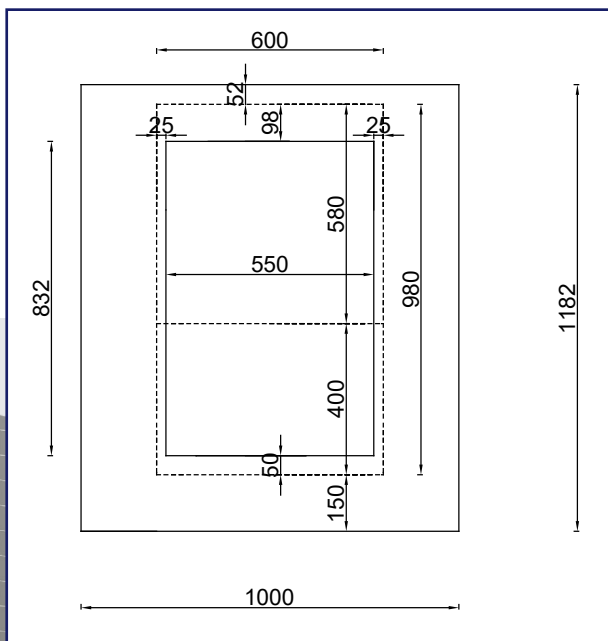
2. Please refer to the dimension diagram for the bracket hole positions. (when measuring for the holes all the dimensions are from the bottom of the flash frame upwards)



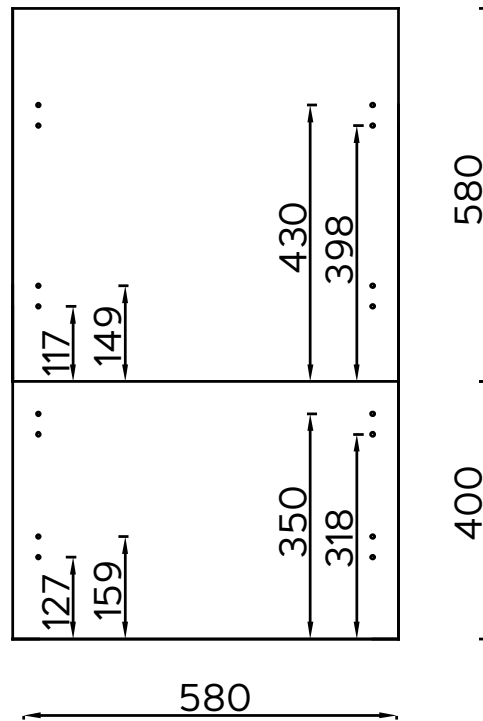
Step 8

1. Lay the bottom and top excess panel flat onto a table surface and mark out the hole's positions for the panel clips.
2. The holes positions are 40mm in from the edge of the panels.
3. For the height of the hole positions please refer to the excess panel hole diagram.
4. Using a 3mm drill bit carefully pilot the marked hole positions, then fix the clips to the panel with 20mm screws provided.
5. Clip on the excess panels starting from the bottom up. The bottom excess panel is 150mm up off the floor to allow for the height of the soil pipe.

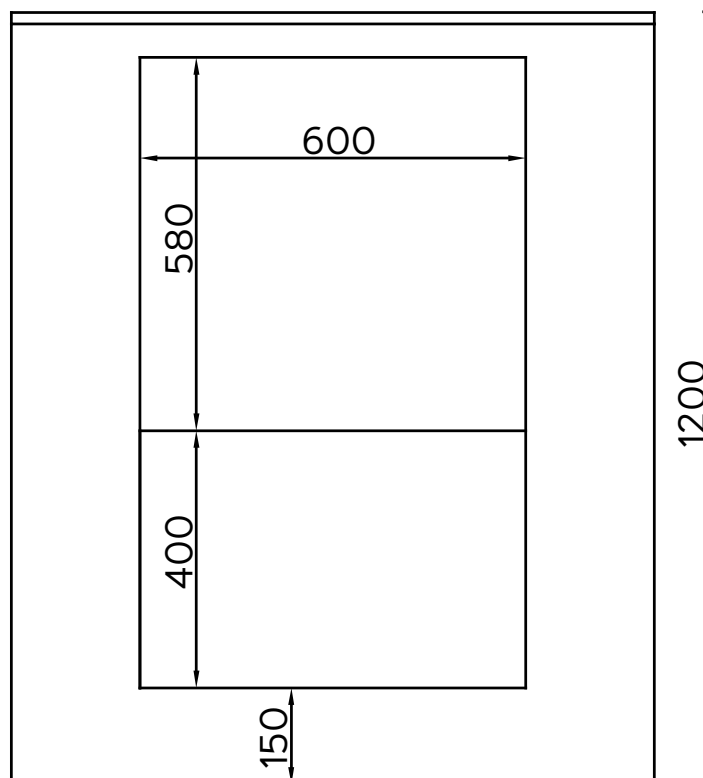
6. INSTALLATION COMPLETE



Access Panel Clip Dimensions



IPS - Low Level



Completed Installation

