

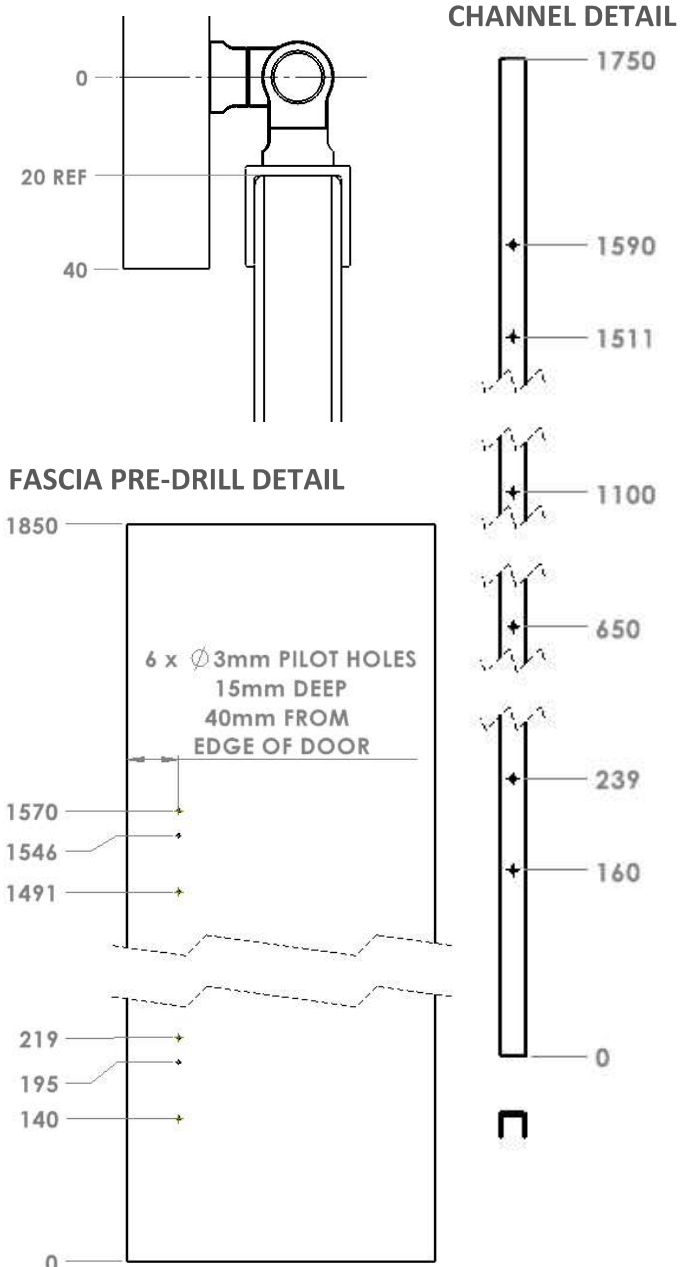
# H02 Full Length Hinge

17-21mm



Includes fixings for 17-21mm		
Panel Thickness	ANODISED	PPC
17-21mm	CPOAK01H02A	N/A

The hinge fall position can be adjusted by removing and rotating the nylon hinge risers. Note: Approx. 3.5mm rise and fall travel.



- Using the channel as a guide on the door, predrill the edge of the door with a 3mm drill bit 15mm deep
- Fix the upper half of the hinge to the door sandwiching the channel in place as shown above with the 2 screws. Repeat on 2nd hinge.
- Once the upper hinge bodies are fitted, secure the channel to the door using the two remaining screws as shown below.
- Pre drill the fascia using the details above.
- Fix the lower half of the hinge to the fascia as shown above with the 3 screws. Repeat on 2nd hinge.
- Adjust the risers if required and lower the door onto the fascia. Secure with the M5 screw as shown.