

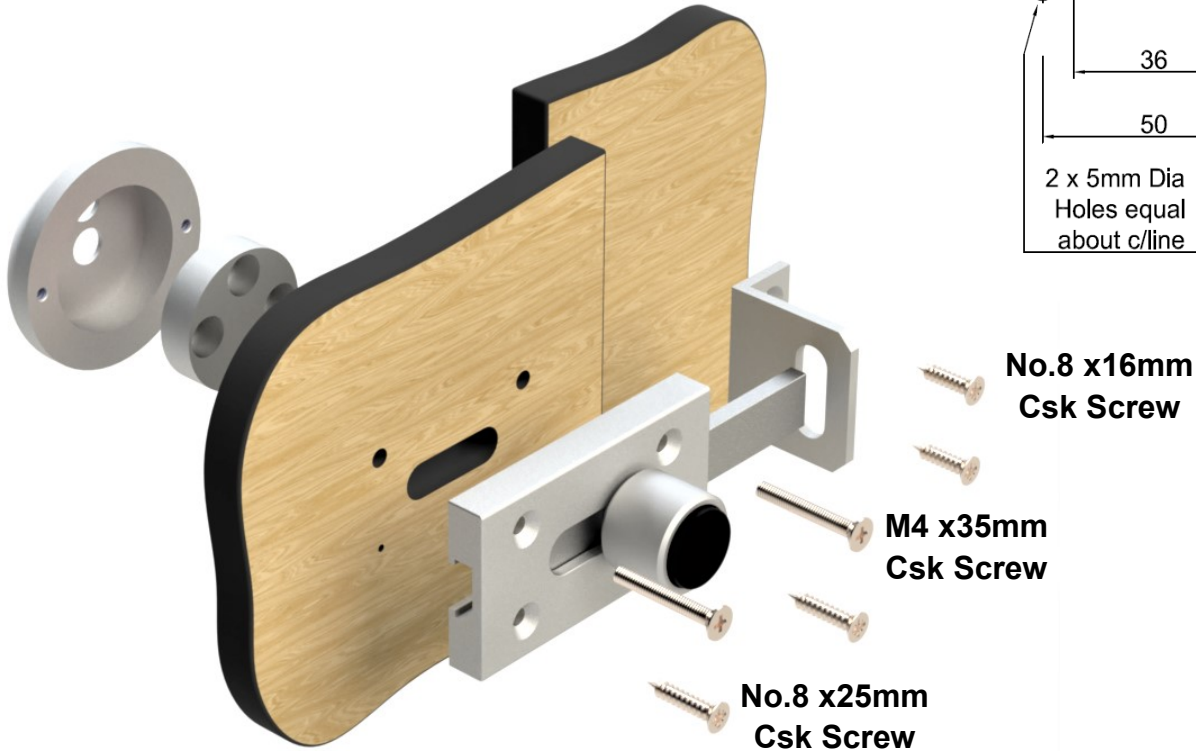
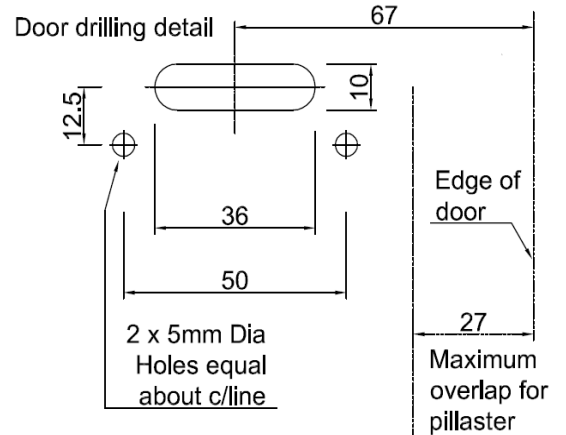
System 20 Indicator Bolt Inwards Opening

17-21mm



PPC RAL7024 MATT		
Panel thickness	ANODISED	PPC
17-21mm	N/A	SYS20IBOLT01P

Inwards Opening doors



1. The door preparation for the indicator bolt requires two holes and a slot machining in the panel.
2. The first step is to decide the centre height of the indicator bolt (this is usually a matter of personal preference).
3. Mark the horizontal centreline of the bolt from the edge of the door to a distance approximately 100mm in.
4. Mark off and machine the door as shown on the drawing.
5. Fit the red/green signal into the round face plate, ensuring that the red sticker is closest to the bottom of the door and the two holes in the back of the face plate are at the bottom. Identify the two 35mm long machine screws and fit these into the bottom two holes on the shoot bolt assembly.
6. Offer the shoot bolt assembly to the door in the closed position, making sure the screws and slide pin fit into the pre machined holes, offer the face plate to the front of the door, align the screws and tighten firmly to clamp the indicator bolt to the door.
7. Using a small drill, pilot the top two holes in the shoot assembly to take the two 25mm long wood-screws. Fit the screws and tighten firmly.
8. Fit the two rubber buffers onto the back of the fascia approximately 150mm from the line of the top and bottom of the door.
9. Close the door and slide the bolt into the locked position.
10. Position the keep over the shoot so that the edge of the keep is 5mm from the edge of the door.
11. Once satisfied mark the position of the keep mounting holes, pilot drill as bolt assembly taking care not to break through and fix the keep using the remaining 16mm screws.