

Leisureline Bench Seating Wall Mount Frame

Product Code - BSF02

Kit Contents

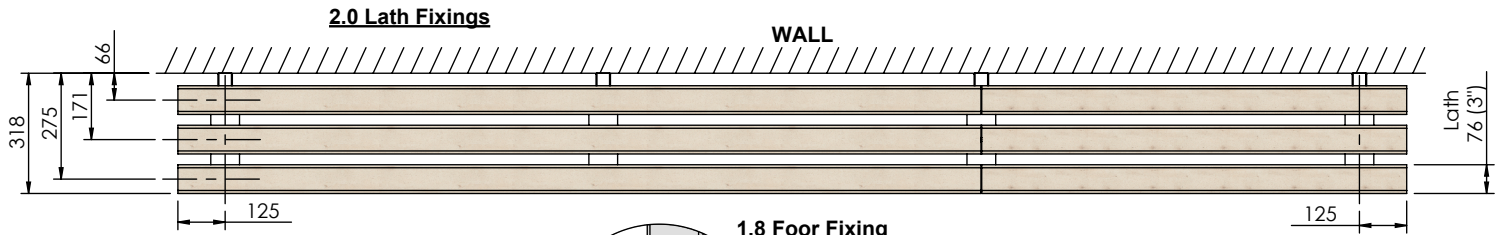
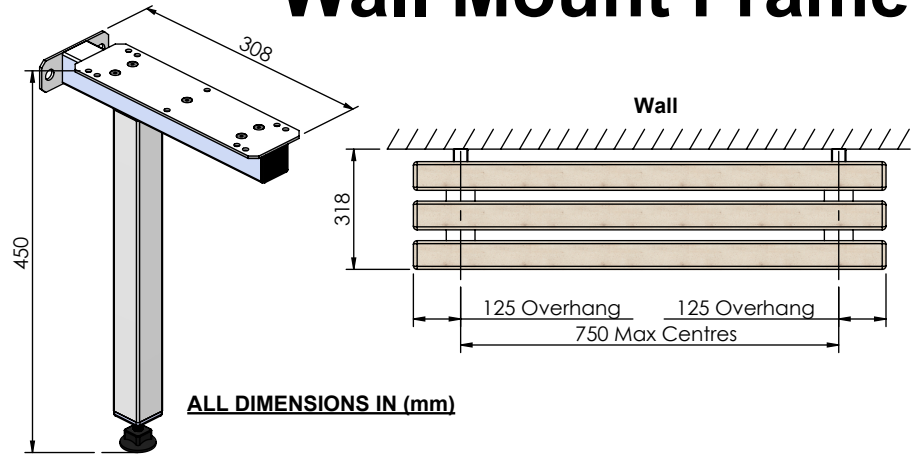
1 Off - Wall Mount Bench Frame

Optional kits

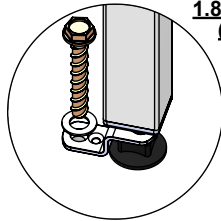
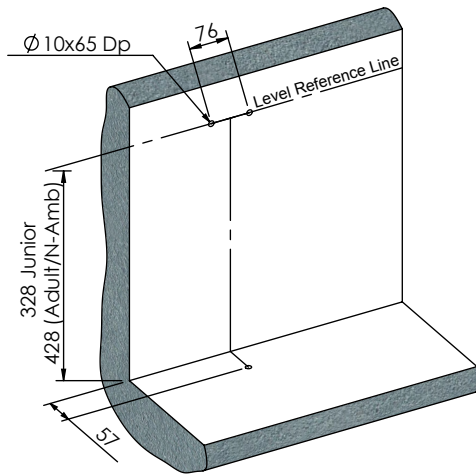
Compact Lath fixings pack of 4 - BSFXLC03 Floor fixing down kit (Screw) BSFXFF01

Wood Lath Screw FXSCRNO8X19BZP002 Floor fixing down kit (Bolt) BSFXFF02

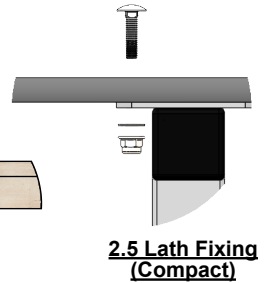
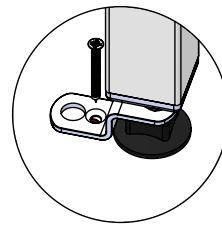
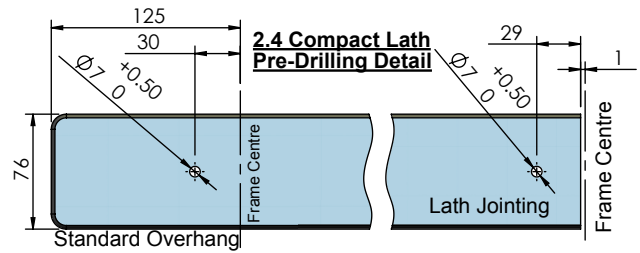
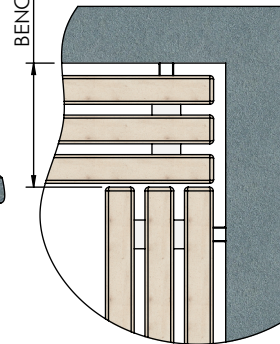
Wall Fix Anchor kit BSFXWF02



1.0 Frame Installation



corner detail



Please refer to the Fixing Identification Sheet and familiarise yourself with the fixings and descriptions used

1.0 Frame Installation

- Use the site layout drawing to decide upon the correct positions for each frame (take care not to exceed maximum recommended centres as shown above).
- Mark a level reference line along the wall where the frames are to be fitted at a nominal height of 428mm from the floor.
- Mark the frame position as a vertical line down the wall, using the vertical line as a datum mark a hole position 35mm each side on the level
- Offer the frame to the wall and secure using 2 Anchor Bolts & washers, tightening to a torque of 45Nm to ensure a secure fixing is achieved.

Note - The anchor bolts supplied are suitable for use on Brick, Stone & Concrete. It is the users responsibility to ensure the Wall or Floor is suitable for this type of fixing otherwise alternative methods must be used.

(Caution - check for electric cables and pipes concealed in wall prior to drilling).

2.0 Lath Fixing

- The Laths require pre-cutting to length prior to fitting, this being determined by the frame centres i.e. a single 750mm centre frame requires 1.0m laths (0.125m overlap). When a multiple run of frames is required the laths are jointed every 3rd frame (see sketch).
- To secure a Hardwood Lath to the frame, position the lath at the rear of the frames 66mm from the lath centre to the wall and with 125mm overlap as shown in sketch. Use No.8 x 3/4" Screws to secure in position from the underside.
- Repeat for the remaining laths working to the frame front.
- Compact grade laths require pre-drilling before assembly to the frames (see sketch).
- Secure to the frames using 3 compact fixings (M6 Coach Bolts & Nyloc Nuts)

Note: - 4 compact lath fixings are supplied with each frame kit, Only 3 fixings are required per frame the fourth is to be combined with the extra fixing in the other frame kits and used wherever a joint is required.

3.0 Optional Anchor Plate

- Ideally the Anchor plate should be fixed with M10 Anchor Bolts or similar, however where this can not be achieved it may be fixed with a No.10 screw. To use the anchor bolt, mark a centreline on the floor and mark the centre of the fixing hole at 57mm from the back wall. (see Drg 1.0).
- Using a 10mm masonry drill bit, drill the marked positions to a depth of 65mm. Clear any debris from the holes.
- Unscrew the adjustable foot from the frame leg, place the floor fixing bracket over the thread and screw the adjustable foot back into place.
- Align the floor fixing bracket with the floor fixing hole and secure using the remaining Anchor Bolt & Washer.
- As an optional floor fixing where the Anchor Bolts may cause problems due to their size a smaller No.10 screw fixing is supplied. Using the Anchor plate as a template, mark the fixing hole position through the smaller of the 2 holes in the bracket. Using a 6.5mm masonry bit, drill to a depth of 50mm. Insert the Rawl Plug and secure using the No.10 x 1 1/2" Screw. (Caution - Caution check for underfloor heating prior to drilling)